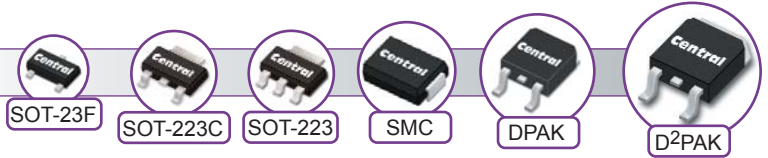


Power Rectifiers in Small Signal Packages

selection guide power Rectifiers



UltraFast UltraFast Rectifiers offer speed as well as high current capability.

TYPE NO.	I_O (A)	@ $T_A(^{\circ}C)$ $\uparrow T_C(^{\circ}C)$	I_{FSM} (A)	V_{RRM} (V)	V_F (V)	@ I_F (A) MAX	$I_R @ V_{RRM}$ (μA) MAX	$t_{rr} @ V_{RRM}$ (ns)	Device Configuration	Package Type
CMR5U-02	5.0	55	175	200	1.0	5.0	10	50	Single	SMC
CMR5U-04	5.0	55	175	400	1.3	5.0	10	50	Single	SMC
CMR5U-06	5.0	55	175	600	1.7	5.0	10	100	Single	SMC
CMR5U-08	5.0	55	175	800	1.7	5.0	10	100	Single	SMC
CUD3-02	4.0	130 \uparrow	70	200	1.25	12	20	35	Single	DPAK
CUD6-02C	6.0	130 \uparrow	70	200	1.25	10	20	35	Dual Common Cathode	DPAK
CUDD8-02	8.0	100 \uparrow	125	200	0.975	8.0	5.0	25	Single	D ² PAK
CUDD8-04	8.0	100 \uparrow	125	400	1.3	8.0	10	25	Single	D ² PAK
CUDD8-08	8.0	100 \uparrow	125	800	1.5	8.0	10	50	Single	D ² PAK
CUDD16-02C	16	100 \uparrow	125	200	0.975	8.0	5.0	25	Dual Common Cathode	D ² PAK
CUDD16-04C	16	100 \uparrow	125	400	1.3	8.0	10	25	Dual Common Cathode	D ² PAK
CUDD16-08C	16	100 \uparrow	125	800	1.5	8.0	10	50	Dual Common Cathode	D ² PAK

Schottky Perfect for use in a wide variety of applications including commercial, industrial and computer circuits.

TYPE NO.	I_O (A)	@ $T_A(^{\circ}C)$ $\uparrow T_C(^{\circ}C)$	I_{FSM} (A)	V_{RRM} (V)	V_F (V)	@ I_F (A) MAX	$I_R @ V_{RRM}$ (μA) MAX	Device Configuration	Package Type
CMPSH1-4	1.75	25	12	40	0.55	1.0	100 @ 30V	Single	SOT-23F
CZSH5-40	5.0	75	125	40	0.55	5.0	3000	Single	SOT-223
CZSH10-40CN	10	75	125	40	0.60	10	3000	Dual Common Cathode	SOT-223C
CMSH5-20	5.0	75	125	20	0.55	5.0	3000	Single	SMC
CMSH5-40	5.0	75	125	40	0.55	5.0	3000		
CMSH5-60	5.0	75	125	60	0.75	5.0	3000		
CMSH5-100	5.0	75	125	100	0.85	5.0	3000		
CSHD6-40C	6.0	120 \uparrow	75	40	0.85	6.0	100	Dual Common Cathode	DPAK
CSHD6-60C	6.0	120 \uparrow	50	60	0.90	6.0	30	Dual Common Cathode	DPAK
CSHD6-100C	6.0	120 \uparrow	50	100	1.10	6.0	30	Dual Common Cathode	DPAK
CSHDD8-40	8.0	100 \uparrow	150	40	0.65	8.0	100	Single	D ² PAK
CSHDD8-60	8.0	100 \uparrow	150	60	0.75	8.0	100	Single	D ² PAK
CSHDD8-100	8.0	100 \uparrow	150	100	0.85	8.0	100	Single	D ² PAK
CSHDD16-40C	16	90 \uparrow	150	40	0.84	16	100	Dual Common Cathode	D ² PAK
CSHDD16-60C	16	90 \uparrow	150	60	0.95	16	100	Dual Common Cathode	D ² PAK
CSHDD16-100C	16	90 \uparrow	150	100	1.10	16	100	Dual Common Cathode	D ² PAK

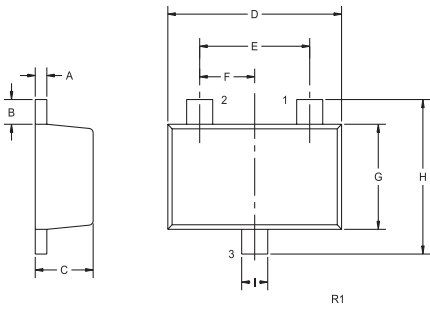
HD Bridge 50% Higher Density (amps/mm²) than a 1.0 Amp surface mount bridge.

TYPE NO.	I_O (A)	@ $T_A(^{\circ}C)$	I_{FSM} (A)	V_{RRM} (V)	V_F (V)	@ I_F (A) MAX	$I_R @ V_{RRM}$ (μA) MAX	Device Configuration	Package Type
CBRHD-02	0.5	40	30	200	1.0	0.4	5.0	Bridge	HD DIP
CBRHD-04	0.5	40	30	400	1.0	0.4	5.0		
CBRHD-06	0.5	40	30	600	1.0	0.4	5.0		
CBRHD-10	0.5	40	30	1000	1.0	0.4	5.0		

Power Rectifiers in Small Signal Packages

Mechanical Specifications

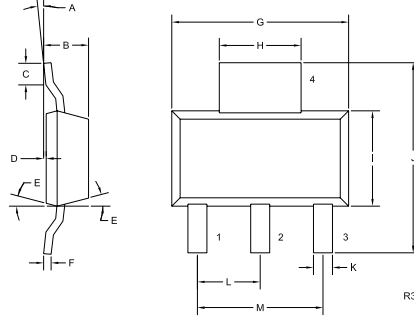
SOT-23F



SYMBOL	INCHES		MILLIMETERS	
	MIN	MAX	MIN	MAX
A	0.004	0.008	0.10	0.20
B	0.012	0.020	0.30	0.50
C	0.031	0.039	0.80	1.00
D	0.110	0.118	2.80	3.00
E	0.075		1.90	
F	0.037		0.95	
G	0.059	0.067	1.50	1.70
H	0.091	0.098	2.30	2.50
I	0.014	0.018	0.35	0.45

SOT-23F (REV: R1)

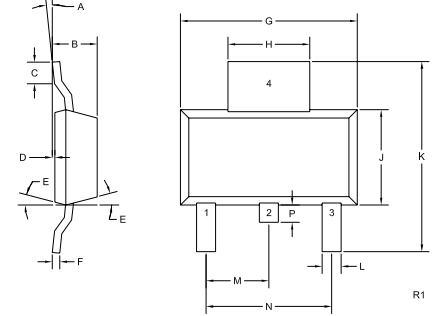
SOT-223



SYMBOL	INCHES		MILLIMETERS	
	MIN	MAX	MIN	MAX
A	0°	10°	0°	10°
B	0.059	0.071	1.50	1.80
C	0.018	-	0.45	-
D	0.000	0.004	0.00	0.10
E	15°		15°	
F	0.009	0.014	0.23	0.35
G	0.248	0.264	6.30	6.70
H	0.114	0.122	2.90	3.10
I	0.130	0.146	3.30	3.70
J	0.264	0.287	6.70	7.30
K	0.024	0.033	0.60	0.85
L	0.091		2.30	
M	0.181		4.60	

SOT-223 (REV: R3)

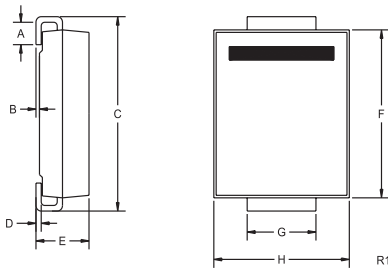
SOT-223C



SYMBOL	INCHES		MILLIMETERS	
	MIN	MAX	MIN	MAX
A	0°	7°	0°	10°
B	0.063	0.067	1.50	1.80
C	0.022		0.45	
D	0.001	0.004	0.00	0.10
E	15°		15°	
F	0.009	0.013	0.23	0.35
G	0.248	0.264	6.30	6.70
H	0.114	0.122	2.90	3.10
J	0.130	0.146	3.30	3.70
K	0.264	0.287	6.70	7.30
L	0.024	0.031	0.60	0.85
M	0.091		2.30	
N	0.181		4.60	
P	-	0.025	-	0.64

SOT-223C (REV: R1)

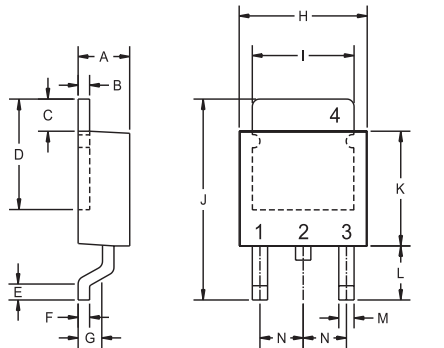
SMC



SYMBOL	INCHES		MILLIMETERS	
	MIN	MAX	MIN	MAX
A	0.030	0.060	0.76	1.52
B	0.004	0.008	0.10	0.20
C	0.305	0.320	7.75	8.13
D	0.006	0.012	0.15	0.31
E	0.079	0.103	2.00	2.62
F	0.260	0.280	6.60	7.11
G	0.108	0.124	2.75	3.15
H	0.220	0.245	5.59	6.22

SMC (REV: R1)

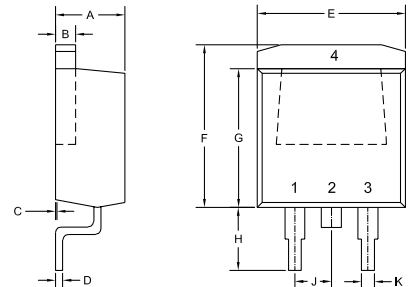
DPAK



SYMBOL	INCHES		MILLIMETERS	
	MIN	MAX	MIN	MAX
A	0.093	0.108	2.35	2.75
B	0.016	0.024	0.40	0.60
C	0.063		1.60	
D	0.203	0.219	5.15	5.55
E	0.012	0.028	0.30	0.70
F	0.020		0.50	
G	0.035	0.051	0.90	1.30
H	0.252	0.268	6.40	6.80
I	0.197	0.213	5.00	5.40
J	-	0.394	-	10.00
K	0.209	0.224	5.30	5.70
L	0.090	0.106	2.30	2.70
M	0.016	0.031	0.40	0.80
N	0.091		2.30	

DPAK RECTIFIER (REV: R1)

D²PAK



SYMBOL	INCHES		MILLIMETERS	
	MIN	MAX	MIN	MAX
A	0.163	0.189	4.14	4.80
B	0.045	0.055	1.14	1.40
C	0.000	0.010	0.00	0.25
D	0.012	0.028	0.30	0.70
E	0.386	0.409	9.80	10.40
F	0.378	0.417	9.60	10.60
G	0.335	0.358	8.50	9.10
H	0.197	0.236	5.00	6.00
J	0.093	0.108	2.35	2.75
K	0.030	0.035	0.75	0.90

D²PAK (REV: R2)

For more information on this product please visit our website at www.centalsemi.com

CentralTM
Semiconductor Corp.

Innovations in Discrete
Semiconductors

For further information contact:
Sales at Central Semiconductor Corp.
(631) 435-1110 or visit our website at:
www.centalsemi.com

145 Adams Avenue • Hauppauge • New York • 11788 • USA • Tel:(631) 435-1110 • Fax: (631) 435-1824

PA Power Rectifiers